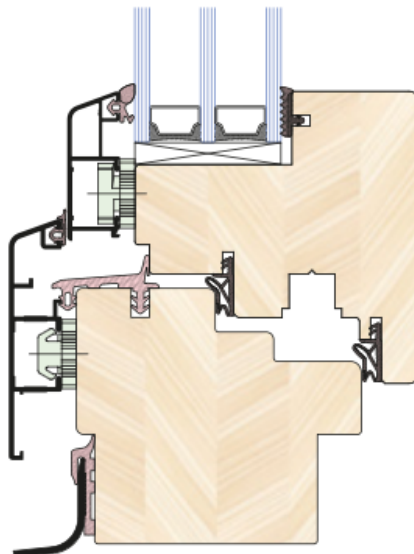




The Gemini Thermoclassic profile is a wood-aluminum system for window and door constructions designed for high performance projects.





FEATURES:

Wood and Aluminum

Custom designs available, natural warmth of wood, together with the durability and versatility of aluminum

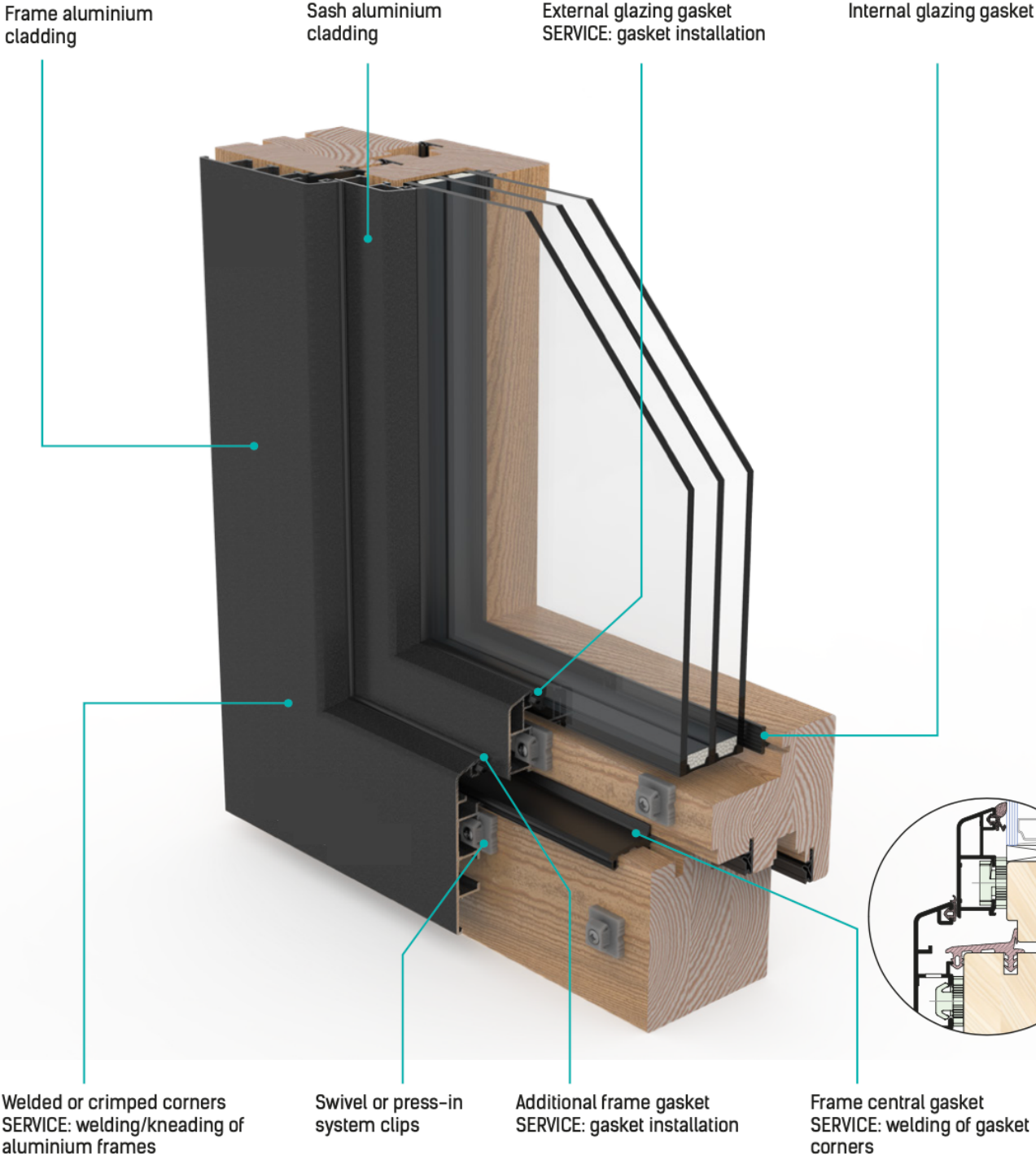
Aluminum Frames

Perfectly flat welded corners – no visible joining of aluminum profiles

Colours

Powder Coating in Qualicoat or Qualicoat Seaside quality

GEMINI THERMOCLASSIC SYSTEM OVERVIEW





ENERGY DATA

Heat transfer coefficient Uw [W/m²K] for a reference window with dimensions 2.18 x 1.48m

Fixed Window

Product Code	Frame Option		Total IGU Thickness		Glazing Option Number	Glazing #1 Thickness		Glazing #2 Thickness		Glazing #3 Thickness		Gap Space 1		Gap Space 2		Gas Information				Emissivity						Spacer Type		Tint		C-O-G U-Factor		C-O-G SHGC		C-O-G VT		Grid Type		Grid Size (in)		Total Product U-Factor		SHGC NO GRID		VT NO GRID		ER NO GRID	
	(mm)	(in)	(mm)	(in)		(mm)	(in)	(mm)	(in)	(mm)	(in)	(mm)	(in)	(mm)	(in)	Gas Fill 1	Gas Fill 2	% of Gas Fill 1	% of Gas Fill 2	Surface 2	Surface 3	Surface 4	Surface 5	Surface 6	TS-D	CL	(W/m ² -K)	(Btu/h.ft ² -F)	C-O-G SHGC	C-O-G VT	Grid Type	Grid Size (in)	(W/m ² -K)	(Btu/h.ft ² -F)	SHGC NO GRID	VT NO GRID	ER NO GRID										
1	A	36.00	1.42	1	4.00	0.16	4.00	0.16	4.00	0.16	12.00	0.47	12.00	0.47	ARG	ARG	90	90	0.055				0.055		TS-D	CL	0.75	0.13	0.49	0.74	N	-	0.99	0.17	0.37	0.54	39										
3	B	36.00	1.42	1	4.00	0.16	4.00	0.16	4.00	0.16	12.00	0.47	12.00	0.47	ARG	ARG	90	90	0.055				0.055		TS-D	CL	0.75	0.13	0.49	0.74	N	-	0.99	0.18	0.37	0.54	39										

Tilt and Turn Window

Product Code	Grouping ID Number		Total IGU Thickness		Glazing Option Number	Glazing #1 Thickness		Glazing #2 Thickness		Glazing #3 Thickness		Gap Space 1		Gap Space 2		Gas Information				Emissivity						Spacer Type		Tint		C-O-G U-Factor		C-O-G SHGC		C-O-G VT		Grid Type		Grid Size (in)		Total Product U-Factor		SHGC NO GRID		VT NO GRID		ER NO GRID	
	(mm)	(in)	(mm)	(in)		(mm)	(in)	(mm)	(in)	(mm)	(in)	(mm)	(in)	Gas Fill 1	Gas Fill 2	% of Gas Fill 1	% of Gas Fill 2	Surface 2	Surface 3	Surface 4	Surface 5	Surface 6	TS-D	CL	(W/m ² -K)	(Btu/h.ft ² -F)	C-O-G SHGC	C-O-G VT	Grid Type	Grid Size (in)	(W/m ² -K)	(Btu/h.ft ² -F)	SHGC NO GRID	VT NO GRID	ER NO GRID												
1		36.00	1.42	1	4.00	0.16	4.00	0.16	4.00	0.16	12.00	0.47	12.00	0.47	ARG	ARG	90	90	0.055				0.055		TS-D	CL	0.75	0.13	0.49	0.74	N	-	1.04	0.18	0.32	0.47	36										